



SeriousWindows™ 1125

SAVES MORE ENERGY THAN ANY OTHER WINDOW. PERIOD.



Energy Tax Credit

Receive up to \$1500 with SeriousWindows



SeriousWindows 1125 Series

The ultimate in energy-efficient windows, the SeriousWindows 1125 series exceeds Energy Star requirements by 300% and is over three times more efficient than competing brands. These windows are a beautifully engineered combination of frame and glass and are the platinum-standard in windows, delivering the highest comfort and energy cost savings.

SeriousWindows:

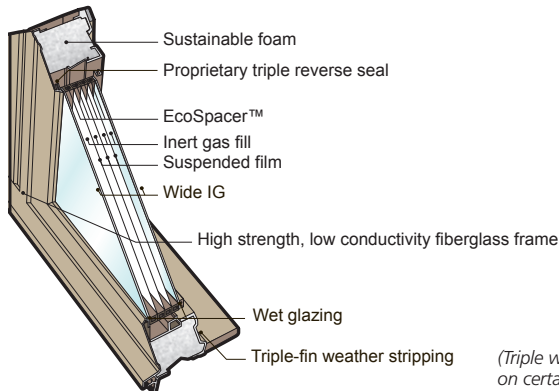
- Up to R-11.1 insulation, 4x Energy Star® rating
- 99.5% UV Protection (reduced fading)
- Reduced condensation
- Increased comfort with less draft in winter and reduced solar heat in summer
- Lower energy bills
- Over 28 years experience in both residential and commercial windows
- Can contribute to LEED credits
- Decrease the size of your HVAC system

Industry Leading Performance Fiberglass Windows

The Serious Windows 1125 Series is Serious Materials' most energy efficient window product. The fiberglass frame offers greater durability than wood and resists fading, chipping, cracking, expansion and contraction. The fully insulated fiberglass frame, in combination with the SeriousGlass package, provides R-values that are 4X Energy Star® standards. The Serious Windows 1125 Series is available in a variety of pre-finished colors as well as natural, stainable wood interiors.

Insulated Glass Unit

A unique combination of 9 key technologies including a fully insulated frame, suspended film, and our proprietary EcoSpacer™ system



(Triple weather stripping available on certain operating models)

Technical Specifications*

R-value: 7.1 - 11.1
 U-value: 0.09 - 0.13
 VT: 0.30 - 0.39
 SHGC: 0.20 - 0.26

* Full Frame

Glass Package (COG)

SeriousGlass 20 SunShade
 Triple, suspended, convection reducing film; low solar heat gain

R-value: 20.0
 U-value: 0.05
 VT: 0.23
 SHGC: 0.17

Frame Material / Style

Jamb Extensions

4 9/16, 6 9/16, Pine and Oak

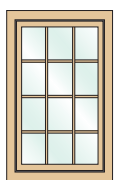
Frame Style

Nail fin, block frame, brick mould

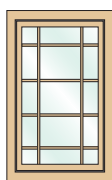
Window Type	Fixed Picture	Casement	Awning	Patio/Swing Doors	Bow/Bay	Half Circle/Arch	Geometric Shapes
Minimum Size	12.0" x 12.0"	14.0" x 14.0"	16.0" x 16.0"	Standard	Custom	Custom	Custom
Maximum Size	96.0" x 72.0"	36.0" x 72.0"	60.0" x 42.0"	Custom	Custom	Custom	Custom
R-value*	11.1	7.7	7.1				
U-Factor*	0.09	0.13	0.13				

* Full Frame

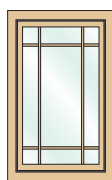
Grille Options



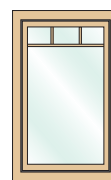
Colonial



Queen Anne



Perimeter



Craftsmen

Grille Location
 • Interior/Exterior
 • Between the glass

Grille Colors
 • Painted to match interior/exterior color
 • Oak laminate

Standard Color Combinations

Interior Color / Finish	White	Dark Brown	Almond	Sandstone	Slate	Oak	Exterior Color / Finish	White	Bronze	Almond	Sand	Slate
Standard Hardware	White	Chestnut Bronze	Beige	Sahara Beige	Black							

Designer Options • Oil Rubbed Bronze • Antique Brass • Western Pewter • Brushed Nickel

